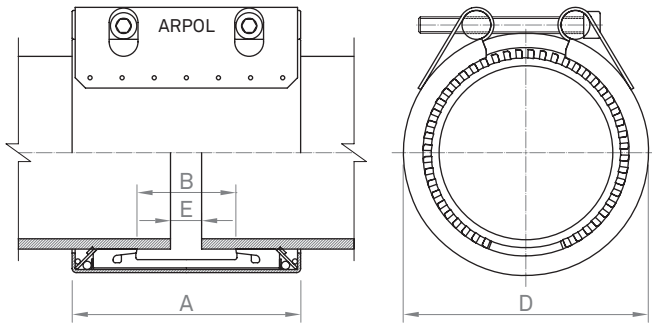


For steel pipe

Serie FIX-M

For the correct operation of the coupling, fitting instructions must be respected.
Test pressure = 1.5 x PS / PN



	Quality W1		Quality W2		Quality W4		Quality W5	
	AISI	DIN	AISI	DIN	AISI	DIN	AISI	DIN
Casing					304 L	1.4307	316 L	1.4404
Bolts					304	1.4301	316	1.4401
Bars					304 L	1.4307	316 L	1.4404
Inner Steel Bridge (Lock)					304 L	1.4307	316 L	1.4404
Withtring ring					302	1.4310	302	1.4310

Sealing gasket: EPDM / NBR / Silicone

OD	Range	Pressure		Dimensions					Bolts	
		PN psi	PS psi	A in	B in	D in	E ¹ in	E ² in	Diam.	Tor. lbf ft
1.90	1.88 - 1.93	232	580	3.66	1.22	2.83	0.20	0.60	M 8	15
2.125	2.11 - 2.15	232	507	3.66	1.22	3.23	0.20	0.60	M 8	20
2.375	2.35 - 2.40	232	507	3.66	1.22	3.46	0.20	0.60	M 8	20
3.00	2.96 - 3.03	232	319	4.41	1.22	4.09	0.20	0.60	M 8	30
3.50	3.46 - 3.54	232	319	4.41	1.77	4.69	0.20	0.60	M 8	30
4.50	4.46 - 4.54	232	362	4.45	1.77	6.85	0.20	0.60	M 10	30
5.50	5.44 - 5.56	232	261	4.49	1.77	7.24	0.20	0.60	M 10	30
6.00	5.98 - 6.13	232	261	4.49	1.77	7.40	0.20	0.60	M 10	30
6.25	6.20 - 6.32	232	261	4.49	1.77	7.60	0.20	0.60	M 10	30
6.625	6.56 - 6.69	232	261	4.49	1.77	7.95	0.20	0.60	M 10	30
8.625	8.54 - 8.71		232	5.67	3.39	10.04	0.60	1.40	M 10	50
9.625	9.53 - 9.72		130	5.67	3.39	11.02	0.60	1.40	M 10	50
10.75	10.65 - 10.85		116	5.67	3.39	12.17	0.60	1.40	M 10	50
12.75	12.62 - 12.87		87	5.67	3.39	14.17	0.60	1.40	M 12	50
14.00	12.86 - 14.13		87	5.67	3.39	15.39	0.60	1.40	M 12	50
16.00	15.85 - 16.16		72	5.67	3.39	17.36	0.60	1.40	M 12	50

E¹ Permitted gaps without internal band E² Permitted gaps with internal band

PN Nominal pressure for the shipbuilding industry with safety factor ≥ 4 PS Working pressure OD Outside Diameter Tor. Torque Value

OD	Maximum diameter difference	Maximum angular deflection	Maximum misalignment
in	mil	degrees	mil
1.90	20	4,0	40
2.125 - 2.375	40	4,0	40
3.00 - 3.50	60	4,0	40
4.50 - 6.00	100	4,0	40
6.25 - 8.625	100	2,0	80
9.625 - 16.00	100	2,0	120

See page 5 (Permitted tolerances)